

## **NiteCool TCC-100/RCC-100**

**Standkühlanlage  
Parking cooler system  
Rafraîchisseur d'air  
Raffrescatore a veicolo fermo  
Enfriador evaporativo  
Interieurkoeler**

**Betriebsanweisung  
Operating Instructions  
Notice d'utilisation  
Istruzioni per l'uso  
Indicaciones de funcionamiento  
Gebruiksaanwijzing**



Das unsachgemäße Einbauen oder Reparieren von Webasto Heiz- und Kühlsystemen kann Feuer verursachen oder zum Austritt von tödlichem Kohlenmonoxid führen. Dadurch können schwere oder tödliche Verletzungen hervorgerufen werden.

Für den Einbau und die Reparatur von Webasto Heiz- und Kühlsystemen bedarf es eines Webastotrainings, technischer Dokumentation, Spezialwerkzeuge und einer Spezialausrüstung.

Versuchen Sie NIEMALS, Webasto Heiz- oder Kühlsysteme einzubauen oder zu reparieren, wenn Sie das Webastotraining nicht erfolgreich abgeschlossen und dabei die notwendigen technischen Fähigkeiten erworben haben und die für einen sachgerechten Einbau und Reparatur nötigen technischen Dokumentationen, Werkzeuge und Ausrüstungen nicht zur Verfügung stehen.

Befolgen Sie IMMER alle Webasto Einbau- und Reparaturanleitungen, und beachten Sie alle Warnhinweise.

Webasto übernimmt keine Haftung für Mängel und Schäden, die auf einen Einbau durch ungeschultes Personal zurückzuführen sind.



Improper installation or repair of Webasto heating and cooling systems can cause fire or the leakage of deadly carbon monoxide leading to serious injury or death.

To install and repair Webasto heating and cooling systems you need to have completed a Webasto training course and have the appropriate technical documentation, special tools and special equipment.

NEVER try to install or repair Webasto heating or cooling systems if you have not completed a Webasto training course, you do not have the necessary technical skills and you do not have the technical documentation, tools and equipment available to ensure that you can complete the installation and repair work properly.

ALWAYS carefully follow Webasto installation and repair instructions and heed all WARNINGS.

Webasto rejects any liability for problems and damage caused by the system being installed by untrained personnel.

# NiteCool TCC-100/RCC-100 parking cooler system

---

## Contents

	Page
<b>1 Maintenance and safety instructions</b>	<b>11</b>
<b>2 General</b>	<b>12</b>
<b>3 Operation</b>	<b>14</b>
<b>3.1 Control elements</b>	<b>14</b>
<b>3.2 Control panel</b>	<b>15</b>
<b>3.3 Functions</b>	<b>16</b>
<b>3.4 Remote control</b>	<b>18</b>
<b>3.5 Air vents</b>	<b>18</b>
<b>4 Malfunctions and possible remedies</b>	<b>19</b>

---

# NiteCool TCC-100/RCC-100 parking cooler system

## 1 Maintenance and safety instructions

### Meaning of signal words

Throughout this manual, the signal words WARNING, IMPORTANT and NOTE have the following meanings:

#### **WARNING**

This heading is used to highlight operating instructions or procedures which, if not or not correctly followed, may result in personal injury or fatal accidents.

#### **IMPORTANT**

This heading is used to highlight operating instructions or procedures which, if not or not correctly followed, may result in damage to the equipment or its components.

#### **NOTE**

This heading is used to direct your attention to a special feature deemed essential to highlight.

#### **IMPORTANT**

1. The units must be installed as set out in the installation and service manual.

2. If the vehicle height stated in the vehicle registration document is exceeded due to the installation of the parking cooler system, it must be legalised through a type approval.

3. Installation, maintenance and repair work must be carried out by trained personnel in authorised workshops. This work may only be carried out with the engine at a standstill and the power supply switched off. Disconnect the battery before working on the electrical wiring.

4. As is the case with all parts of a vehicle, the parking cooler system is continuously subjected to a certain amount of stress and strain. To guarantee that the system operates correctly and to prevent any damage to the parts, the maintenance work must be carried out at regular intervals.

5. The proper treatment of the system and a record of all maintenance work are necessary for the acceptance of any warranty claims involving damage to parts that require regular maintenance.

6. Irrespective of the schedule in the installation and service manual, check all the attachments on the unit and the connections to ensure that they are tight within the first four weeks of using the parking cooler system for the first time.

7. Even if the parking cooler system is not in use, individual components may be subject to wear due to the normal ageing process or the stresses or strains generated by driving the vehicle. The appropriate checks listed in the maintenance and service chart in the installation and service manual must therefore be carried out regardless of the time in which the system is in use.

8. The evaporator unit for cooling the air must be renewed at least every 6 months or in accordance with the degree of contamination. The filter insert in the precooling chamber must be changed once every season or in accordance with the degree of contamination.

9. When the vehicle is being cleaned at a vehicle wash, bear in mind the height of the vehicle including the parking cooler system.

# NiteCool TCC-100/RCC-100 parking cooler system

---

10. The blower must be switched on at least once every month, even in winter time, for 10 minutes to preserve the easy movement of all movable parts.

11. Failure to follow the installation and service manual and the notes contained therein will lead to all liability being refused by Webasto. The same applies if repairs are carried out incorrectly or with the use of parts other than genuine spare parts.

## 2 General

For rapid cooling of the interior of the vehicle when the outside temperature is high and the sun is shining into the cab, we recommend initially running the blower at maximum with the cooling function switched on. Once a pleasant interior temperature has been achieved, you can reduce the blower to a lower setting according to your requirements.

If the sunshine has heated up the vehicle considerably, we recommend opening the doors and windows with the vehicle at a standstill to allow ventilation to take place before switching on the parking cooler system.

Before starting a drive and when you have

finished your working day, check the content of the water tank and refill if necessary.

To avoid damage due to the water freezing in cold weather, drain all of the water from the parking cooler system.

If it is necessary to tilt the cab, first wait three to four minutes after switching off the parking cooler system to allow all the water contained in the piping system to drain back into the water tank.

### Evaporator unit

The following guidelines must be followed: The parking cooler system is equipped with an evaporator unit for cooling the air. This must be renewed every six months or according to the level of contamination. We recommend fitting a new evaporator unit before the start of the hot weather season.

Evaporator units are available from your Webasto Installation and Service station.



### WARNING!

Batteries from our products are to be returned to the point of sales or nearby

when used.

Returning is free of charge.

The consumer is legally obliged to return used batteries.

Batteries are by no means to be disposed of with domestic refuse.

Risk of explosion if the batteries are exchanged improperly!

Follow the instructions to dispose of the batteries!

This product is subject to the EC directives 2002/96EC and EN 50419. Notes on disposal are supplied with the sample or the operating instructions.

### WARNING!

The water tank must always be filled with drinking water. Do not add any perfumes or other products to the water that have not been approved by Webasto.

The water piping system must be cleaned as follows, at least every two months:

a) - First drain the entire system by removing the tank drain cover from the water tank.

b) - Then screw the tank drain cover back on and fill the water tank half full with a solution of drinking water and a

---

## NiteCool TCC-100/RCC-100 parking cooler system

commercially available cleaning/disinfectant agent containing sodium hypochloride (follow the mixing ratio as specified by the manufacturer). Then run the parking cooler system at blower setting 6, with the cooling function switched on, for two hours.

Leave the cab windows open during the cleaning process and make sure no-one remains in the cab.

Clean the fresh water tank of mobile homes according to the vehicle manufacturer instructions.

c) - After cleaning, drain the system completely again and thoroughly clean the water tank with water in order to flush out the residues.

d) - Fill the system with drinking water if the parking cooler system is to be put back into operation again immediately.

e) - Alternatively, the water system can be cleaned with recommended Katadyn<sup>®</sup> Care products (please follow the manufacturer's instructions).

### **Important information**

The user is exclusively responsible for complying with all guidelines, in particular those relating to the use and function of the parking cooler system and to hygienic and sanitary conditions in order to maintain correct operation.

Failure to follow the instructions will lead to all liability being refused by Webasto.

# NiteCool TCC-100/RCC-100 parking cooler system

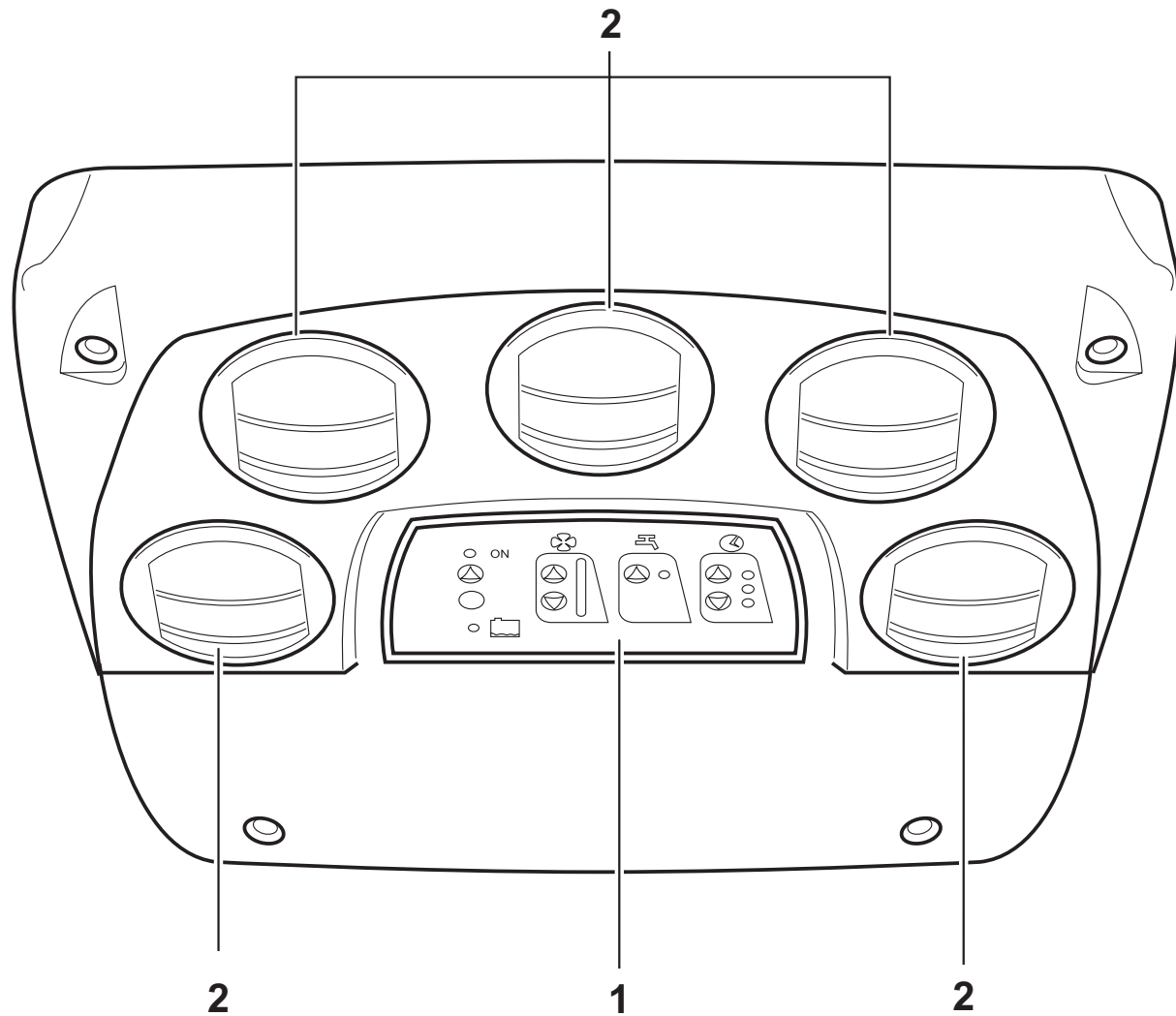
---

## 3 Operation

### 3.1 Control elements

1 - Control panel

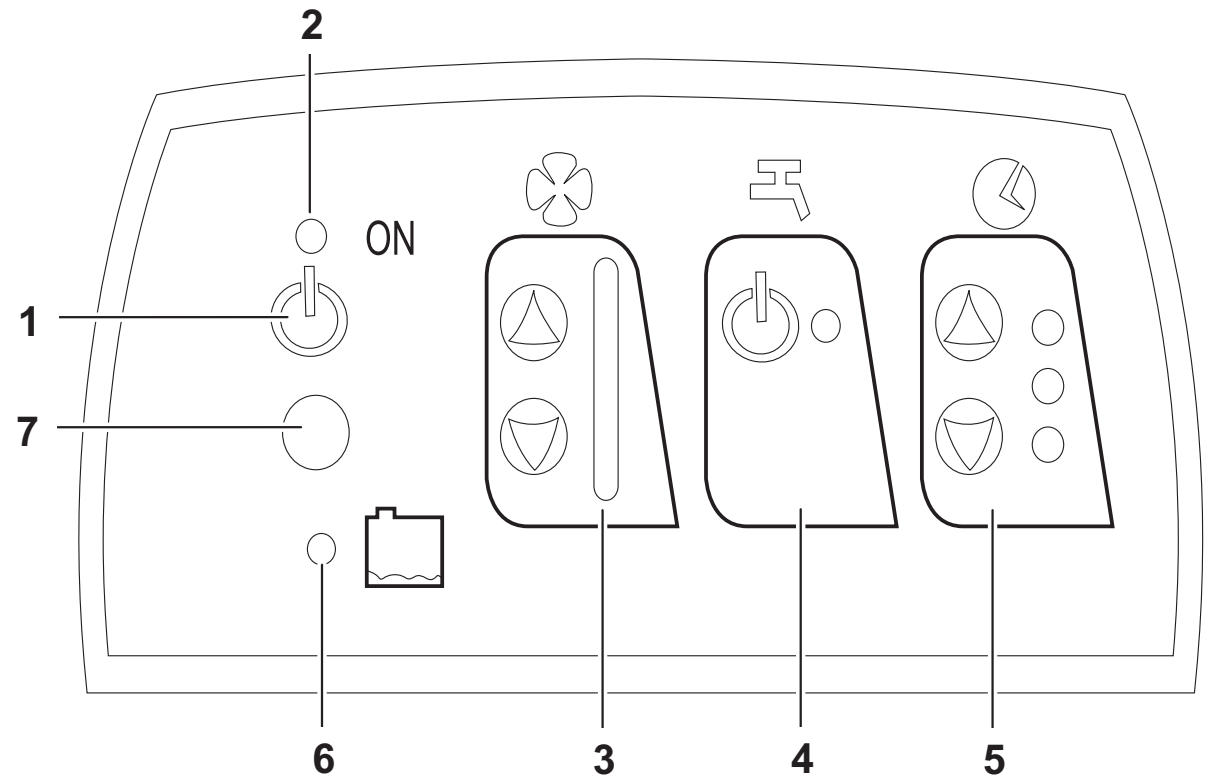
2 - Air vents



# NiteCool TCC-100/RCC-100 parking cooler system

## 3.2 Control panel

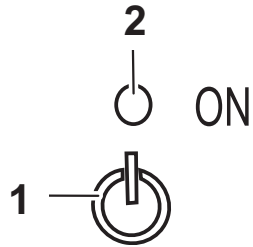
- 1 - ON/OFF switch
- 2 - Switch-on indicator LED
- 3 - Blower switch
- 4 - Cooling function on/off switch
- 5 - Timer
- 6 - Low water level indicator
- 7 - Infrared sensor



# NiteCool TCC-100/RCC-100 parking cooler system

---

## 3.3 Functions

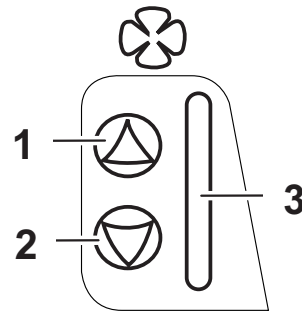


### ON/OFF switch

The parking cooler system is switched on/off by pressing button 1. LED 2 lights up when it is switched on.

### IMPORTANT!

If the blower is blocked, the system is switched off and LED 2 is blinking. The trouble shooting must be carried out by trained personnel in authorised workshops.



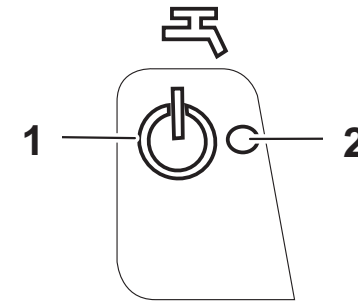
### Blower switch

Pressing button 1 increases the blower setting.

Pressing button 2 reduces the blower setting.

The corresponding blower setting (1 – 8) is shown on the indicator 3.

This function is only available when the parking cooler system is switched on.



### Cooling function ON/OFF switch

Pressing button 1 switches on the cooling function of the parking cooler system, and the switch-on indicator LED 2 lights up.

Pressing button 1 again switches off the cooling function of the parking cooler system, and the switch-on indicator LED 2 goes out.

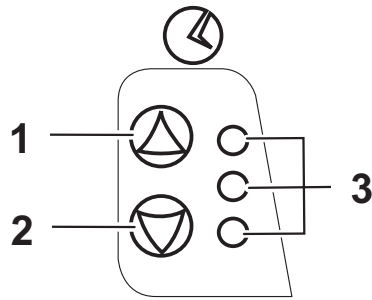
This function is only available when the parking cooler system is switched on.

### IMPORTANT!

If a water pump is blocked, the system is switched off and LED 2 is blinking. The trouble shooting must be carried out by trained personnel in authorised workshops.

---

## NiteCool TCC-100/RCC-100 parking cooler system



### Timer

Pressing button 1 increases the operating time of the parking cooler system and pressing button 2 reduces it.

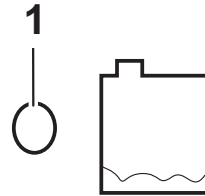
Pressing button 1 once activates the timer and further presses increase the operating time in two-hourly steps. The set operating time is displayed by the 3 LEDs.

1 LED - 2-hour operating time

2 LEDs - 4-hour operating time

3 LEDs - 6-hour operating time

This function is only available when the parking cooler system is switched on.



### Low water level indicator

The cooling function is deactivated and the low water level indicator 1 lights up if there is insufficient water or a defect in the water pumping system.

# NiteCool TCC-100/RCC-100 parking cooler system

---

## 3.4 Remote control

### ON/OFF switch

Pressing button 1 switches on the parking cooler system.

Pressing button 2 switches off the parking cooler system.

### Cooling function ON/OFF switch

Pressing button 3 switches on the cooling function of the parking cooler system.

Pressing button 4 switches off the cooling function of the parking cooler system.

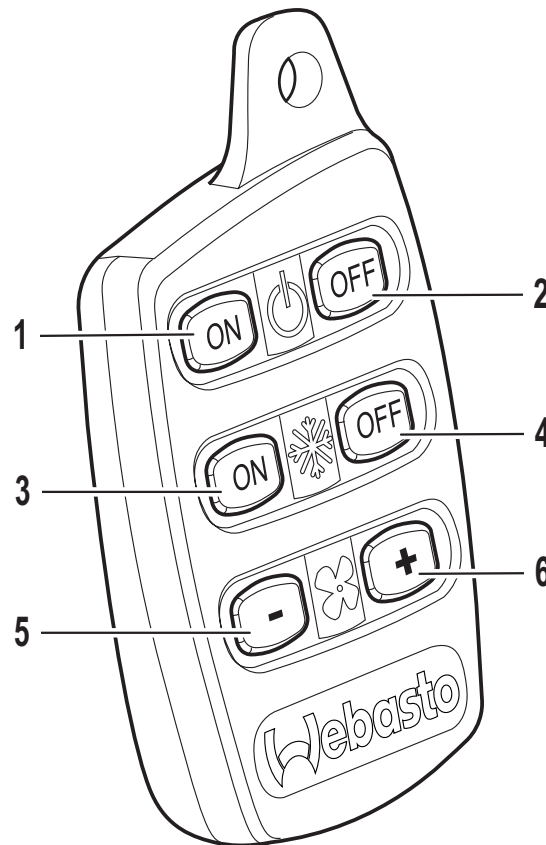
This function is only available when the parking cooler system is switched on.

### Blower switch

Pressing button 5 reduces the blower setting.

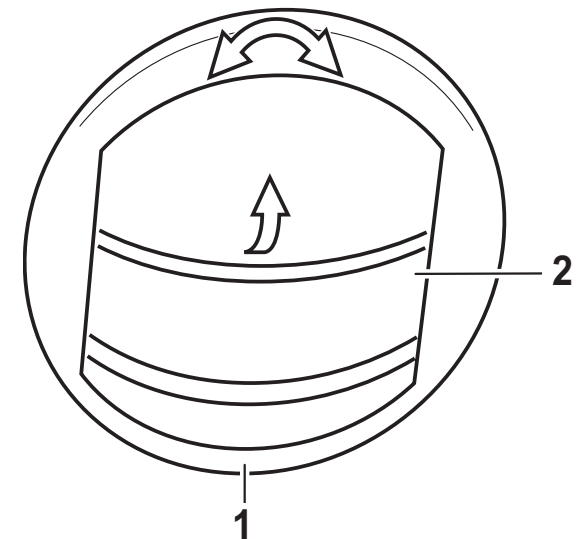
Pressing button 6 increases the blower setting.

This function is only available when the parking cooler system is switched on.



## 3.5 Air vents

To enable the air vents to be directed according to individual requirements as much as possible, the air vents 1 can be rotated 360° and the gills 2 opened or closed individually.



---

## NiteCool TCC-100/RCC-100 parking cooler system

### 4 Malfunctions and possible remedies

Symptom	Possible cause	Remedy
No cooling power	Water pumps not running	Check the connection to the water pumps Check fuses
	Water level sensors are providing incorrect information	Check water level sensors Clean water tank
	Water pipes kinked or squashed	Remedy the cause of the fault, seal any leaks
	Water pump pressure too low	Check water pump function
	Filter insert in water tank or precooling chamber clogged	Clean
Reduced cooling power	Evaporator unit contaminated	Renew evaporator unit
	Water flow rate too low	Water line routed so it is kinked or squashed. Re-lay hoses. Water pump pressure too low (see above for remedy)
Water leaks from parking cooler system	Hose connection loose	Check the hose lines are connected firmly
	Water hose damaged	Route a new hose and connect it
No ventilation	Blower does not function	Check the fuses and plug connectors Check the blower motor function Check the battery voltage

# NiteCool TCC-100/RCC-100 parking cooler system

---

Page for notes

# Webasto Service Phone Line

In case you encounter technical problems with your auxiliary heater - **Webasto's world-wide Service Network will be glad to assist you!**

Simply dial the **Service Phone Number** for your country as indicated below.

Webasto's Top Service for our customers

**America**

- CND** Canada  
USA-48430 Fenton  
Tel. +1 0810 593-6000
- USA** United States  
USA-48430 Fenton  
Tel. +1 810 593-6000

**Europe**

- A** Austria  
1230 Wien  
Tel. +43 1 6043780
- B** Belgium  
1070 Bruxelles  
Tel. +32 2 5580660
- BIH** Bosnia-Herzegovina  
1000 Ljubljana  
Tel. +386 1 2008710
- BG** Bulgaria  
1839 Sofia  
Tel. +359 2 9420-555
- BY** Belarus  
220004 Minsk  
Tel. +37 50172201894
- HR** Croatia  
1001 Ljubljana  
Tel. +386 1 2008710
- CH** Switzerland  
4123 Allschwil/BL  
Tel. +41 61 4869580
- CZ** Czech Republic  
140 00 Praha 4  
Tel. +420 2 41045450-7
- D** Germany  
Stockdorf  
01805 932278
- DK** Denmark  
DK-2610 Rødovre  
Tel. +45 44 522000
- E** Spain  
08620 Sant Vicenç dels Horts (Barcelona)  
Tel. +34 93 6724515
- EE** Baltic Republics  
11214 Tallinn  
Tel. +372 651 9309
- F** France  
91250 Tigery  
Tel. +33 1 69138383
- FIN** Finland  
01740 Vantaa  
Tel. +358 9 61568379
- GB** United Kingdom  
DN4 5JH South Yorkshire  
Tel. +44 1302 322232
- GR** Greece  
10442 Athen  
Tel. +3010 5150235-6
- H** Hungary  
1135 Budapest  
Tel. +36 1 3502337
- I** Italy  
20080 Zibido San Giacomo  
Tel. +39 02 90005011
- IND** India  
201301 Noida (U.P.)  
Tel. +91 120 2551851
- IS** Iceland  
210 Gardabaer  
Tel. +354 5672330
- KZ** Kazakhstan  
480019 Almaty  
Tel. +7 3272 312650
- L** Luxembourg  
1070 Bruxelles  
Tel. +352 2 478311
- MK** Macedonia  
1000 Ljubljana  
Tel. +386 1 2008710
- NL** Netherlands  
8263 BC Kampen  
Tel. +31 38 3371137
- N** Norway  
1386 Asker  
Tel. +47 66 760900
- P** Portugal  
08620 Sant Vicenç dels Horts (Barcelona)  
Tel. +351 21 4461000
- PL** Poland  
05-092 Lomianki  
Tel. +48 22 7517787
- RO** Romania  
1135 Budapest  
Tel. +36 1 3502337
- RUS** Russia  
107 065 Moscow  
Tel. +7 095 7770245
- S** Sweden  
19181 Sollentuna/  
Stockholm  
Tel. +46 8 923000
- SK** Slovakia  
04012 Košice  
Tel. +421 55 6747792
- SLO** Slovenia  
1000 Ljubljana  
Tel. +386 1 2008710
- TR** Turkey  
34510 Esenyurt - Istanbul  
Tel. +90 212 6721590
- UA** Ukraine  
290069 Lviv  
Tel. +38 0322 911564

**Africa**

- ZA** South Africa  
7780 Wetton, Cape Down  
Tel. ++27 21 7619971

**Asia**

- MGL** Mongolia  
Ulaanbaatar  
Tel. +976 11 312 081
- RC** China  
Hong Kong  
Tel. +852 28 118230
- ROK** Korea (Republic of)  
680-160 Nam-Gu Ulsan  
Tel. +82 52 2578190

**Australia**

- AUS** Australia  
2229 NSW Caringbah  
Tel. +61 295 404811
- NZ** New Zealand  
2229 NSW Caringbah  
Tel. +61 295 404811

**Webasto AG**

Postfach 80  
82131 Stockdorf  
GERMANY

<http://www.webasto.com>

Änderungen vorbehalten  
Subject to modification  
Sous réserve de modifications  
Con riserva di modifiche  
Veranderingen voorbehouden

© 2007 All Rights Reserved

IDENT.-NR. 9015539B