



BlueHeat Water Central Heating for your vessel

Heating comfort
just like at home

Can be used to heat your
hot sanitary water

Space-saving installation
in the engine room

Automatic overheat
protection

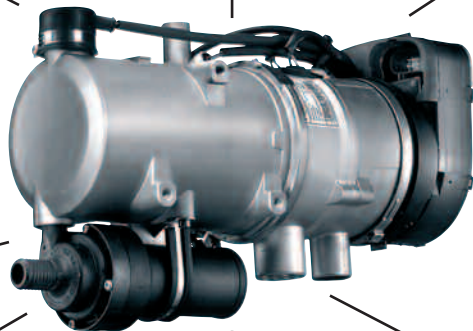
Compact
design

Meets current Marine
requirements and standards

Excellent possibilities for
combining with
Webasto BlueCool air
conditioning systems

Low fuel
consumption

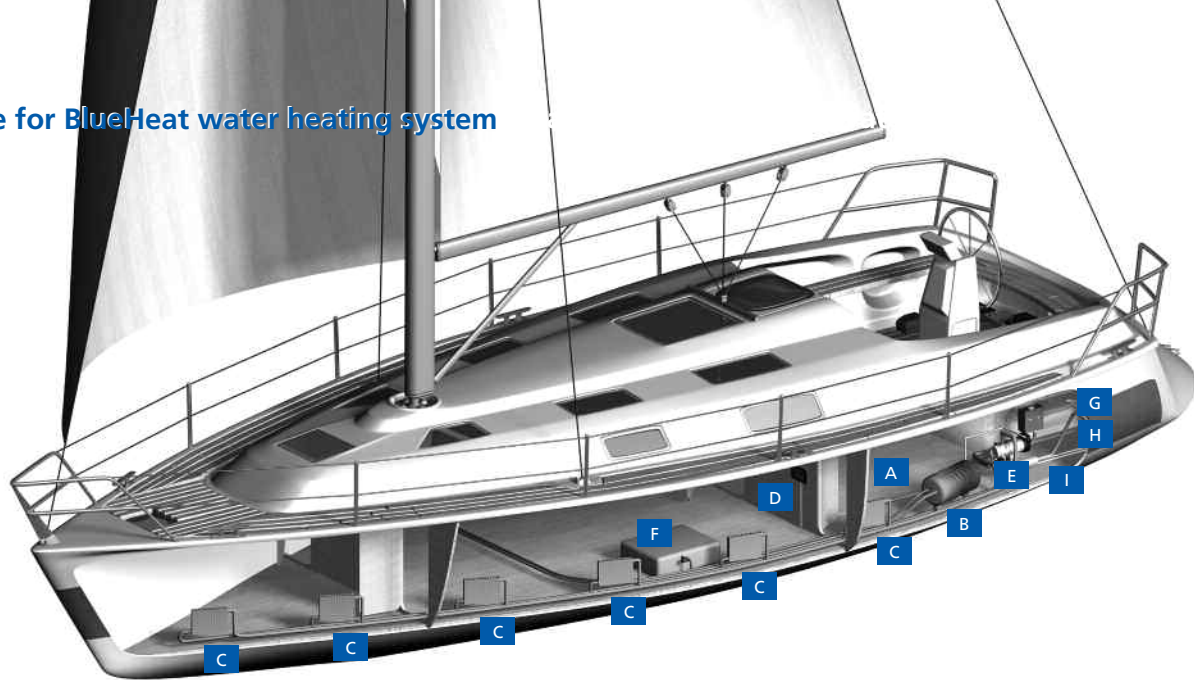
Even distribution of
warmth by means of
radiators or blowers



On the one hand a Webasto **water heater system** quickly heats up the cabin of your sailing or motor yacht to the temperature you require and on the other

hand it can also assist in **providing water for the shower and galley.**

Installation example for BlueHeat water heating system



- A** Space-saving and inconspicuous installation in the engine room
- B** Boiler for heating hot water – for extra comfort
- C** One radiator for each cabin allows an individual temperature control
- D** Controls – simple and logical to use
- E** Circulating pump
- F** Fresh water tank
- G** Engine
- H** Fuel tank
- I** Stainless steel exhaust

Product Overview/Technical Features

Unit	Thermo Top E	Thermo Top C Thermo Top 50	Thermo 90 ST Marine	DBW 2010	Thermo 230	Thermo 300
Heat output (kW) Partial load / Full load	2.6 / 4.0	2.6 / 5.2 2.2 / 5.0	18-76 (booster mode 9.1)	11.6	23	30
Fuel, fuel consumption (l/h) Partial load / Full load	Diesel, 0.29 / 0.47	Diesel, 0.29 / 0.59 Diesel, 0.28 / 0.63	Diesel, 0.19-0.90 (booster mode 1.1))	Diesel, 1.5	Diesel, 2.5	Diesel, 3.3
Voltage (V)	12	12 24	12 / 24	12 / 24	24	24
Power consumption (Watt) Partial load / Full load	22 / 26	22 / 32 34 / 50	37-83 / 90 (booster mode 90)	60 (without circulation pump)	65 (without circulation pump)	100 (without circulation pump)
Net Weight (kg)	2.9	3.2	4.8	14.5	19	19
LxDxH (mm)	214 x 106 x 168	214 x 106 x 168 237 x 106 x 193	314 x 133 x 232	584 x 205 x 228	610 x 246 x 220	610 x 246 x 220

The values stated include a tolerance of approx. ±10% typical for heaters. Subject to change without notice.



Webasto double wall through hulls



Webasto exhaust silencer



Webasto expansion tank

For the complete Webasto range of accessories, please refer to the Marine catalogue.



Webasto Product Australia Pty Ltd
Global Comfort Solutions
423-427 The Boulevard
Kirrawee NSW 2232 Australia
Ph: +61 (0)2 8536 4800 Fax: +61 (0)2 8536 4899

Advice · Installation · Service