

## *Hollandia Marine SR1 – A sliding roof for more light and fresh air on board.*



### **Hollandia Marine SR1**

*One of the largest roofs for more air and light on board of every boat.*

Webasto has been manufacturing premium quality roofs for the automotive industry for over 50 years. Now we have brought this competence into the marine market. The result: the Hollandia Marine SR1.

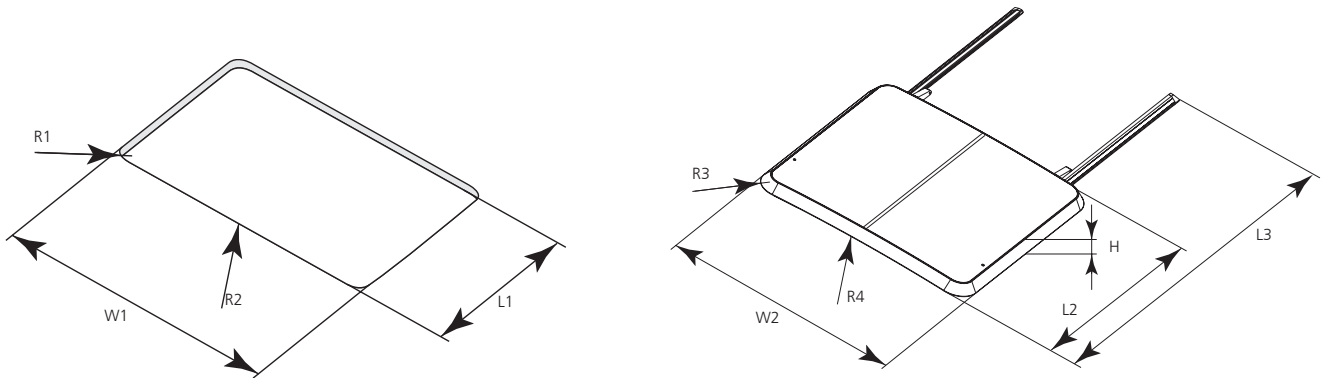
The Hollandia Marine Sliding Roof is one of the largest roof systems on the market and differentiates itself due to its flexibility. For perfect integration into a boat's design, the roof is adjustable up to a length of 1,5 meters and up to a width of 1,8 meters. To meet individual design demands the cross curvature can be adjusted to a minimum radius of 10 meters.

The electrically operated roof is the perfect option for high class boats and yachts. The extraordinary dimensions provide passengers with comfortable amounts of light and fresh air.

### **The advantages of the Hollandia Marine Sliding Roof:**

- **Very large opening**
- **Tilt position enables to ventilate even when raining**
- **Electrical operation 12 VDC**
- **Optional flyscreen and sunblind**
- **Designed for category A yachts**
- **Homologation for area 2 or 3, depending on roof size**
- **4 standard configurations**
- **Customized product manufacturing**

# Standard roofs – dimensions

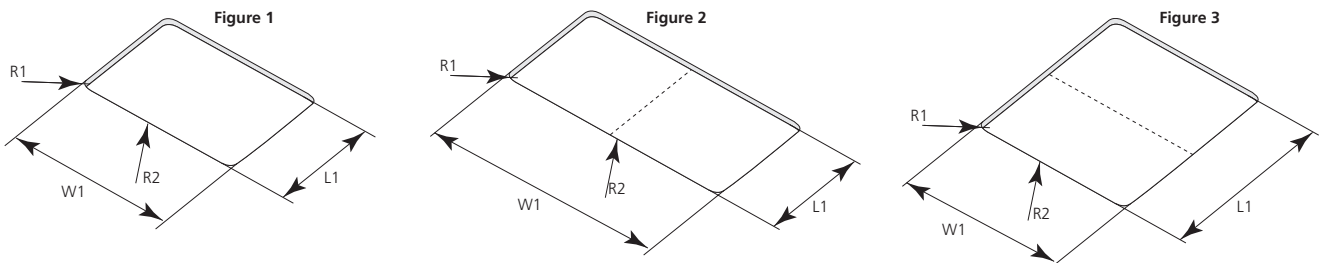


## Delivery kit:

Part Number	Cut-Out Size Dimensions				Overall Dimensions							Area
	Length (L1)	Width (W1)	Corner curvature (R1)	Cross curvature (R2)	Length (L2)	Length (L3)	Width (W2)	Corner curvature (R3)	Cross curvature (R4)	Height (H)	Cross Beam	
3303000	1100	1200	80	Uncurved	1185	2200	1285	122	Uncurved	58	Y	2
3305000	1100	1100	80	Uncurved	1185	2200	1185	122	Uncurved	58	N	3
3306000	1100	1800	80	Uncurved	1185	2200	1885	122	Uncurved	58	Y	3
3307000	1500	1100	80	Uncurved	1585	3000	1185	122	Uncurved	58	Y	3

Remark: All dimensions are in mm.

# Customized roofs – dimensions



## Maximum Cut-Out size dimensions customized roofs

		max. length (L1)	max. width (W1)	corner curvature (R1)	min. cross curvature (R2)
Figure 1	Roof without cross beam	1100	1100	80	10.000
Figure 2	Roof with cross beam in sliding direction	1100	1800	80	10.000
Figure 3	Roof with cross beam perpendicular to sliding direction	1500	1100	80	10.000

Remark: All dimensions are in mm.

Webasto Product Australia Pty Ltd  
 423-427 The Boulevard  
 Kirrawee NSW 2232  
 Australia  
 Tel.: +61(0)2 8536 4800  
 Fax: +61(0)2 8536 4899  
 Email: info@webasto.com.au

[www.webasto-marine.com](http://www.webasto-marine.com)